



# DualCom Pro Fire EN54 Variant

## QUICK GUIDE

CONNECTED • SECURE • LIVE

# QUICK GUIDE

This document covers the requirements of a Fire installation and is a supplement for the DualCom. New information includes:

Resistor values required per input (10K, 4K7)

## MOUNTING

This device should be mounted inside the Fire Alarm Panel or inside a separate powered housing, using the sticky mounting pads supplied. Enclosure requirements for the DualCom Pro Fire are the same as for the Fire Alarm Panel itself. The enclosure must provide the facility to indicate the state of the fault and acknowledge outputs on the device. For Fire Alarm Panels, the enclosure must meet the requirements of EN54-21 7.3 (e.g. IP30 or above) and the supplied sticker should be applied to the outside of the housing.

## INPUTS

**Input 1:** used for receiving the Fire Alarm/Restore signal from the CIE.

**Input 2:** used for receiving Fault/Restore signal from the CIE.

**Inputs 3, 5, 6, 7 & 8:** used for receiving PIN inputs from any other device (i.e. security CIE). These PINs take a lower priority than 1 & 2 when signalling.

**Input 4:** used to indicate if the site is open/closed.

The alarm codes generated by these inputs are as follows

### SIA

Pin 1: UA8001/UR8001

Pin 2: UA8002/UR8002

## ALARMS

Pins 1 and 2 are dedicated for use with fire panels and will respond to different conditions, these are:

- Alarm and restore
- Open circuit and open circuit restore (tamper)
- Short circuit and short circuit restore (tamper)

The type of alarm message that is sent will depend on what happens across the PIN(s). Below are the different conditions and messages the Dualcom Fire Pro will generate:

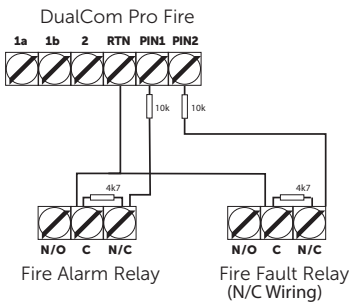
When 14k7 is seen on PIN 1 & PIN 2 it will show a non-alarm state, when this changes to 10k it will go into an alarm state. If the circuit is broken it will generate an open circuit tamper alarm. If it sees 0v closed circuit, it will generate a short circuit tamper alarm.

PINs 1 & 2 come as normally open going closed out of the box. If you require the input to be set as 10K in non-alarm and 14K7 in alarm, follow the inverting process below.

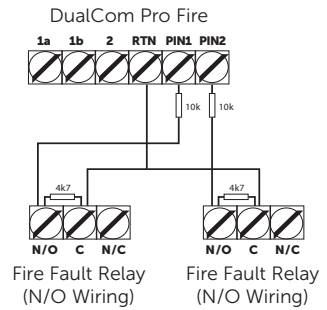
## INVERTING

To invert, when the PIN is in an alarmed state, hold the C button until L is displayed. This should be done outside of the menus.

The wiring configurations are as follows:



Normally closed wiring



Normally open wiring

## FAULT REPORTING

To meet the EN54-21 requirements for monitoring on Type 1 and Type 2 Fire systems, this device sends regular polling calls to the Gemini Global Platform on all connected and active transmission paths. The Installer shall ensure that a reporting action has been agreed with the ARC for all alarm codes, transmission path failure notifications and polling failure reports from the Gemini Global Platform.

## FAULT RELAY

1. The power is removed.
2. There is a short circuit in any of the interconnections between the CIE and the device.
3. There is an open circuit in any of the interconnections between the CIE and the device.
4. An acknowledgement has not been received from the Gemini Global Platform within the allotted time after a Fire Alarm has been sent (within 100 seconds for Type 1).
5. There are no transmission paths available. Please note, all available paths must fail before a fault warning is given.

A Fire Alarm will not restore until all faults (on the wiring or panel) are cleared

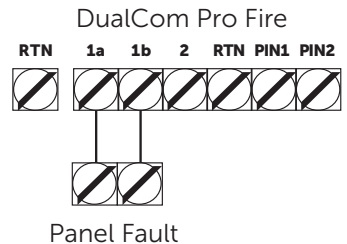
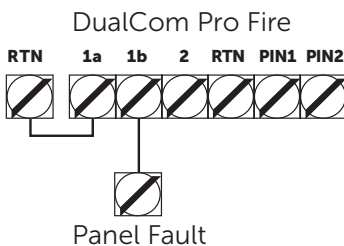
Fault Relay should be wired to the Fire Panel Fault Input or to a separate light emitting indicator as required by EN54-21 5.3.b

## FAULT OUTPUT

On the DualCom Pro Fire, outputs 1a and 1b are volt-free, normally closed going open when the following conditions are seen:

- Open circuit across either PIN 1 & PIN 2 (tamper)
- Short circuit across either PIN 1 & PIN 2 (tamper)
- ATS failure (both paths when available)
- Power is lost on the unit

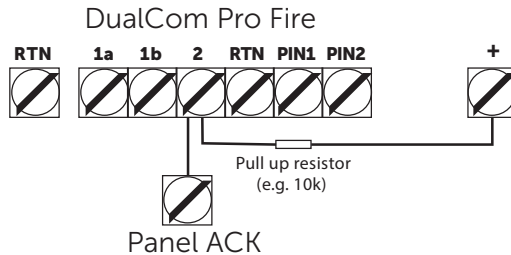
Wiring configurations (depending on what is required at the fire panel) see below



## ACKNOWLEDGEMENT OUTPUT

Output 2 (ACK) is an open-collector driver that pulls low when activated. It will activate when an alarm/fire/fault restore signal (PIN 1 & PIN 2) is generated and will pulse low for 5 seconds. Below is the wiring configuration (resistor value dependant on what is required at the fire panel):

After 100 seconds (for Type 1) has expired, as mentioned previously. The acknowledgement relay should be used to indicate the successful receipt of a Gemini Global Platform acknowledgement either at the Fire Alarm Panel or by a separate light emitting indicator, as required by EN54-21 5.3.a



CE
20
DualCom Pro
CSL DualCom Ltd. Salamander Quay West, Park Lane, Harefield, United Kingdom, UB9 6NZ
DoP No. 2544-CPR-P21114-F01-17
EN 54-21:2006 Fire detection and fire alarm systems / Alarm transmission and fault warning routing equipment EN 50131-10:2014 EN 50136-1:2012 EN 50136-2:2013
Notified Body No. 2544
Type of transmission system: Type 1 DP4 Security Grade: 1-4 depending on the I&HAS housing in which it is installed. Environmental Class: II
<a href="http://www.csl-group.com">www.csl-group.com</a>