



.....
CONNECTED • SECURE • LIVE

DualCom Pro Pin Triggering Quick Guide

Step 1 - Put the DualCom Pro on test with the ARC

Step 2 - Mount the DualCom Pro in the panel and connect the aerial provided

Step 3 - Wire panel digi outputs to the DualCom Pro's inputs and connect the FLT relay to the panel (see figure 1). There are 2 options, wire to a zone or utilise panel's FLT input (panel dependant)

Step 4 - Apply 12-24v power

Step 5 - Wait 5 minutes whilst your DualCom Pro downloads its configuration

Step 6 - Check LED status. LEDs 1 & 2 should have solid green or flashing lights, whilst LED 3 should have a solid green light. If showing otherwise please contact CSL Technical Support on +44 (0) 1895 474 444

Step 7 - Self learn

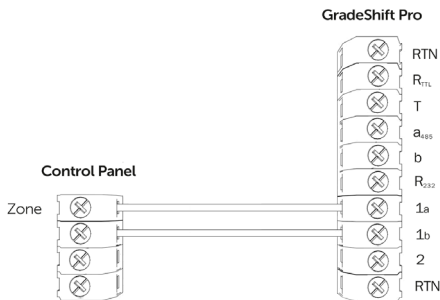
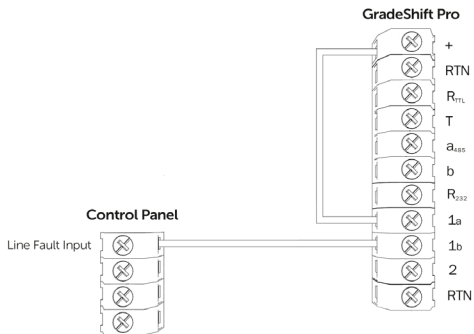
- Ensure all required pins are in a normal/quiescent state and the panel is in its day state
- Press and hold the C button until L appears on the display, then release the C button
- The display will confirm successful operation by displaying 'LEARN OK'

Step 8 - Test available paths to the ARC

- Tap button A until S is shown
- Tap button C to indicate Path Test
- The display will read out PATH TEST

Step 9 - Test all channels to the ARC, confirm test calls and inputs have all been received correctly

Figure 1 - Fault output 1a & 1b



SUPPORT

For more information on DualCom Pro and other CSL products please contact CSL Technical Support:

UK Tel: +44 (0)1895 474 444

Ireland Tel: 1800 855 695

Email: support@csl-group.com

Hours: 08.30 to 18.00 weekdays, 10.00 to 16.00 Saturday

Visit www.csl-group.com for the latest copies of all manuals.